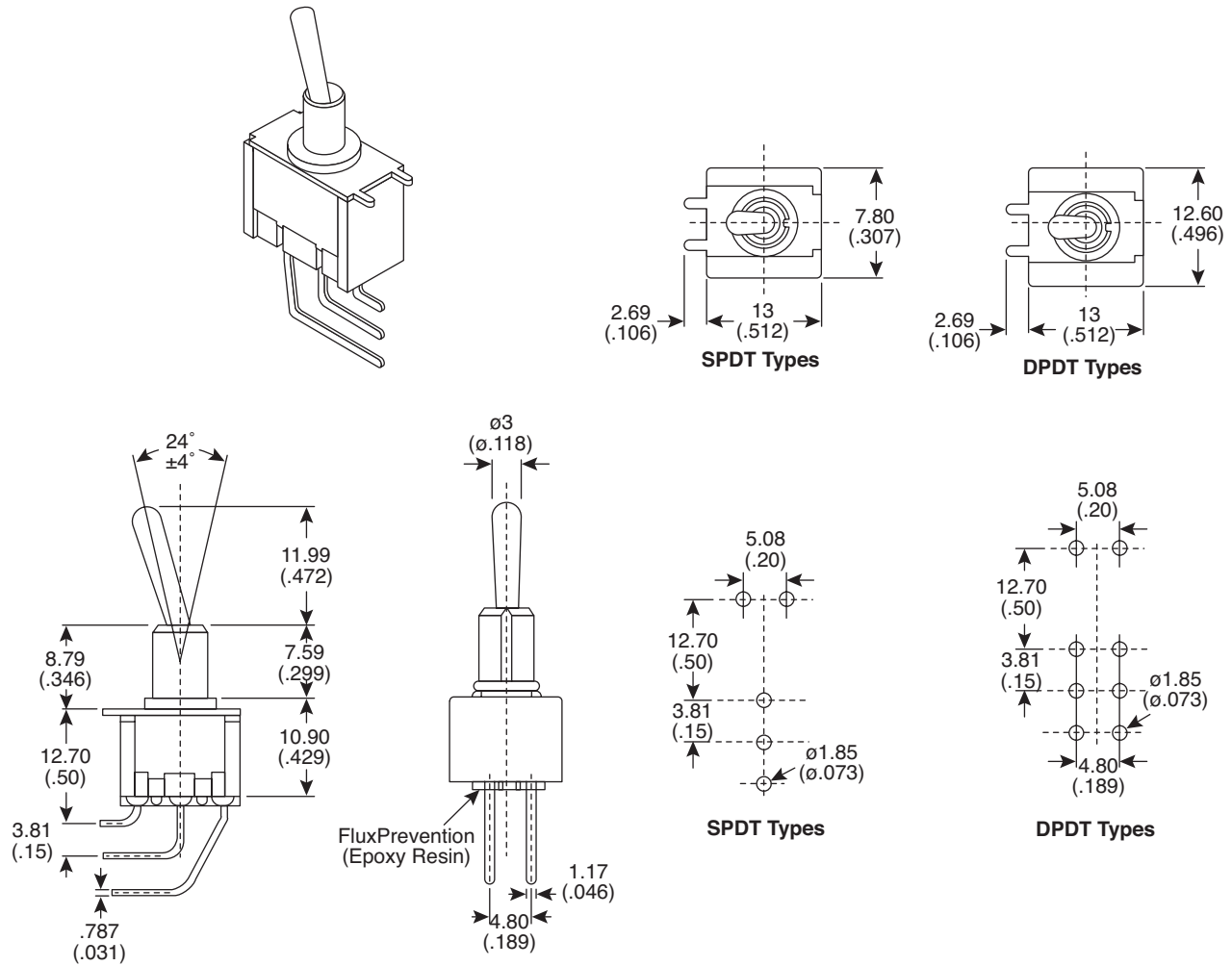


Dimensions: mm (In.)



Electrical Specifications:

- Rating: 6A/125VAC, 3A/250VAC
- Dielectric Strength: 1000VAC for 1 minute
- Insulation resistance: 100MΩ min.
- Contact resistance: 20mΩ max.
- Electrical life: 10,000 cycles min.

Mechanical Specifications:

- Mechanical life: 30,000 cycles min.

Materials:

- Terminals: gold plated

() = Momentary Contact

| Mouser Stock No. | Type | Circuit |
|------------------|------|---------------|
| 10TF130 | SPDT | On-On |
| 10TF132 | SPDT | On-(On) |
| 10TF135 | SPDT | On-Off-On |
| 10TF140 | SPDT | On-Off-(On) |
| 10TF145 | SPDT | (On)-Off-(On) |
| 10TF160 | DPDT | On-On |
| 10TF162 | DPDT | On-(On) |
| 10TF165 | DPDT | On-Off-On |
| 10TF170 | DPDT | On-Off-(On) |
| 10TF175 | DPDT | (On)-Off-(On) |

Miniature Toggle Switches

10TF130, 10TF132, 10TF135, 10TF140, 10TF145,
10TF160, 10TF162, 10TF165, 10TF170, 10TF175

